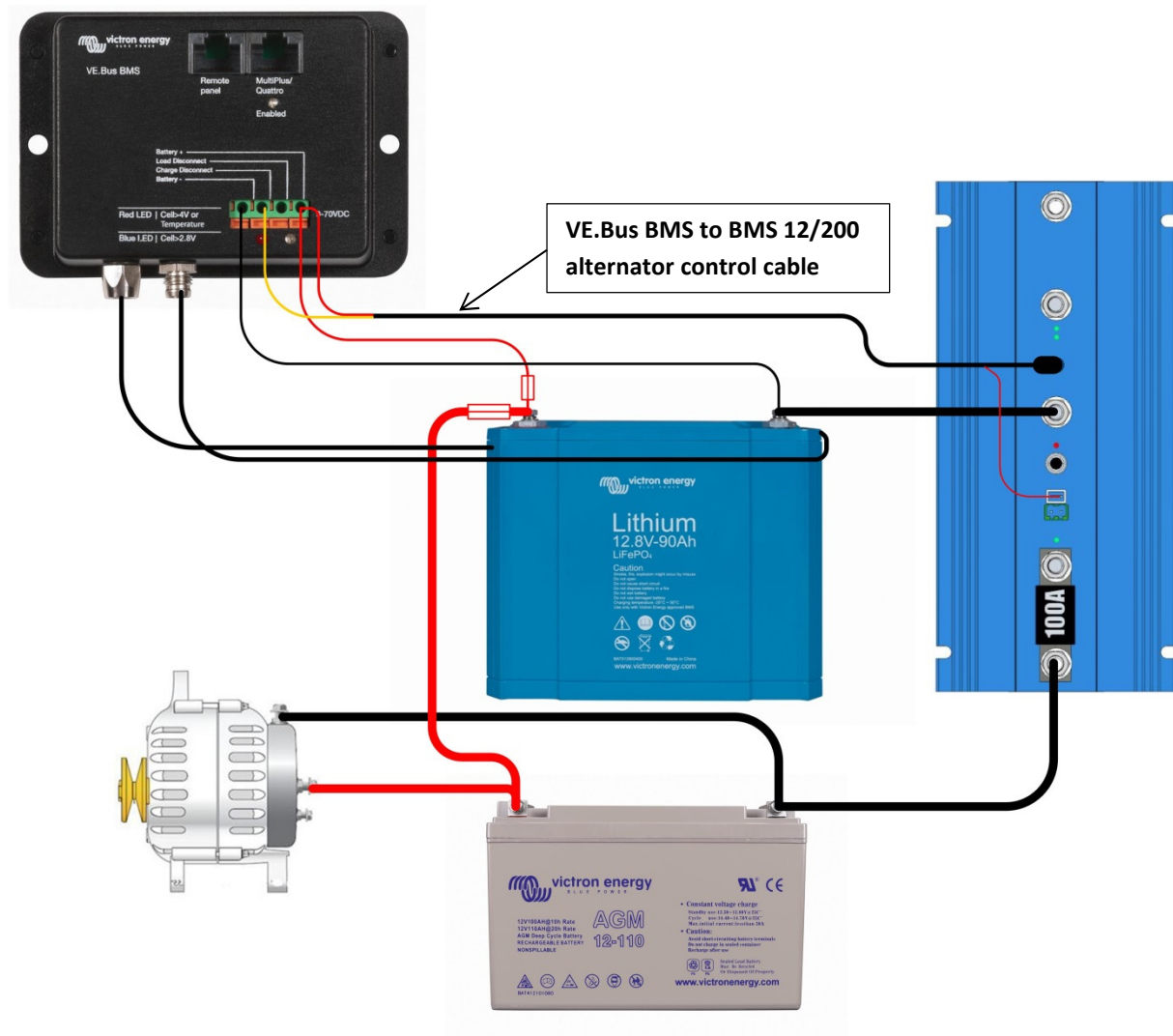


## VE.Bus BMS to BMS 12/200 alternator control cable (ASS 030510100)

With this cable the charge control feature of the BMS 12/200 can be used together with the VE.Bus BMS.

The BMS 12/200 will limit charge current by the alternator to a safe value, and stop the charge process in case of an alarm (the Li-ion battery communicates with the VE.Bus BMS and the VE.Bus BMS transmits to the BMS 12/200), see figure below:



NOTE 1: The Li-ion battery and any loads powered by the Li-ion battery must **not** be connected to ground.

NOTE 2: In this set-up the DC load output of the BMS 12/200 is **not** operational.

Please see the BMS 12/200 manual for details.